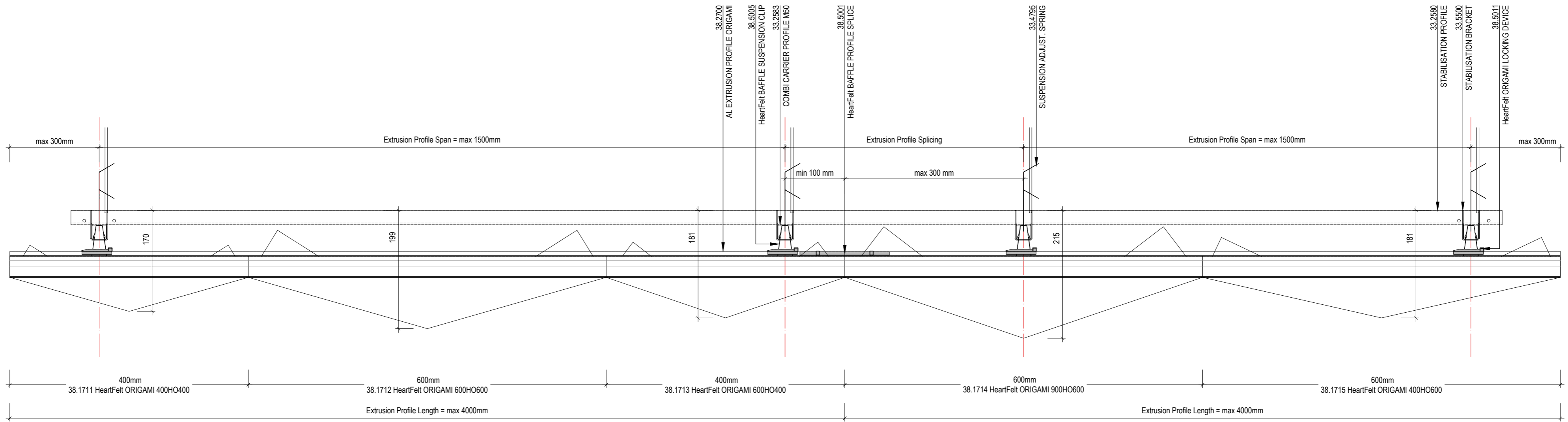
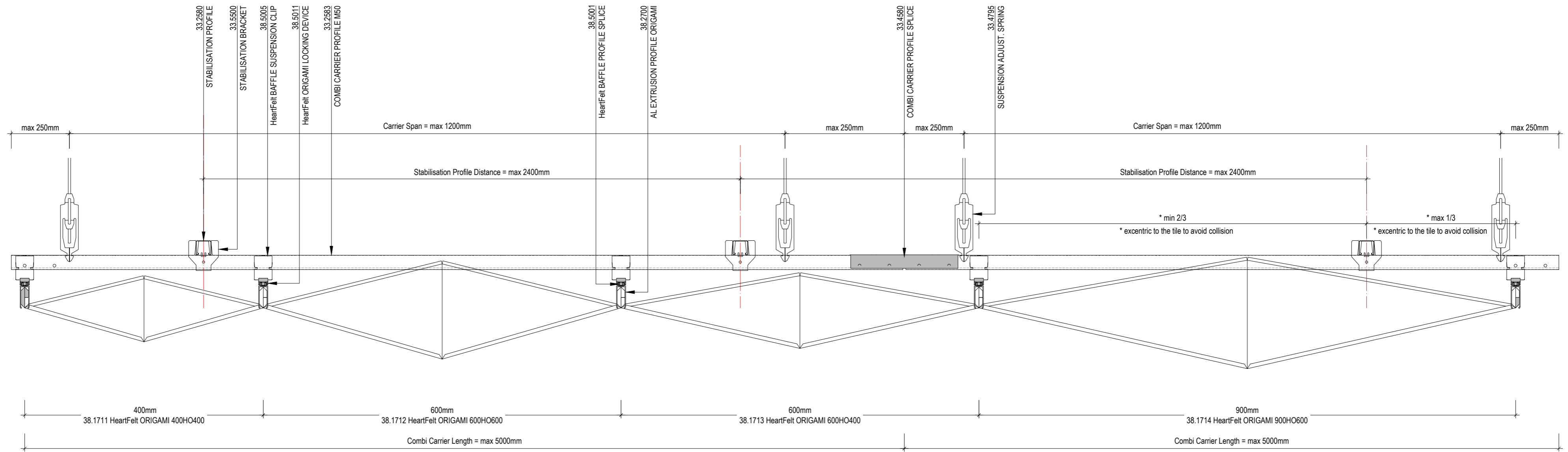


APPLICATION - HEARTFELT ORIGAMI CEILING



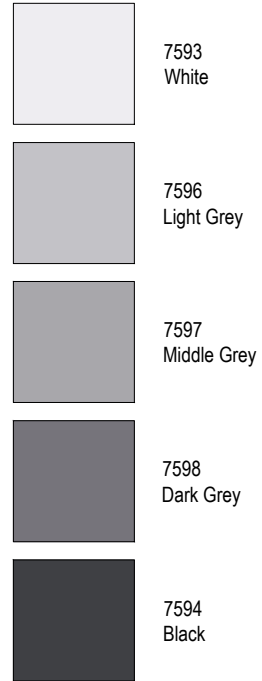
EXTRUSION PROFILE SPAN scale 1:5



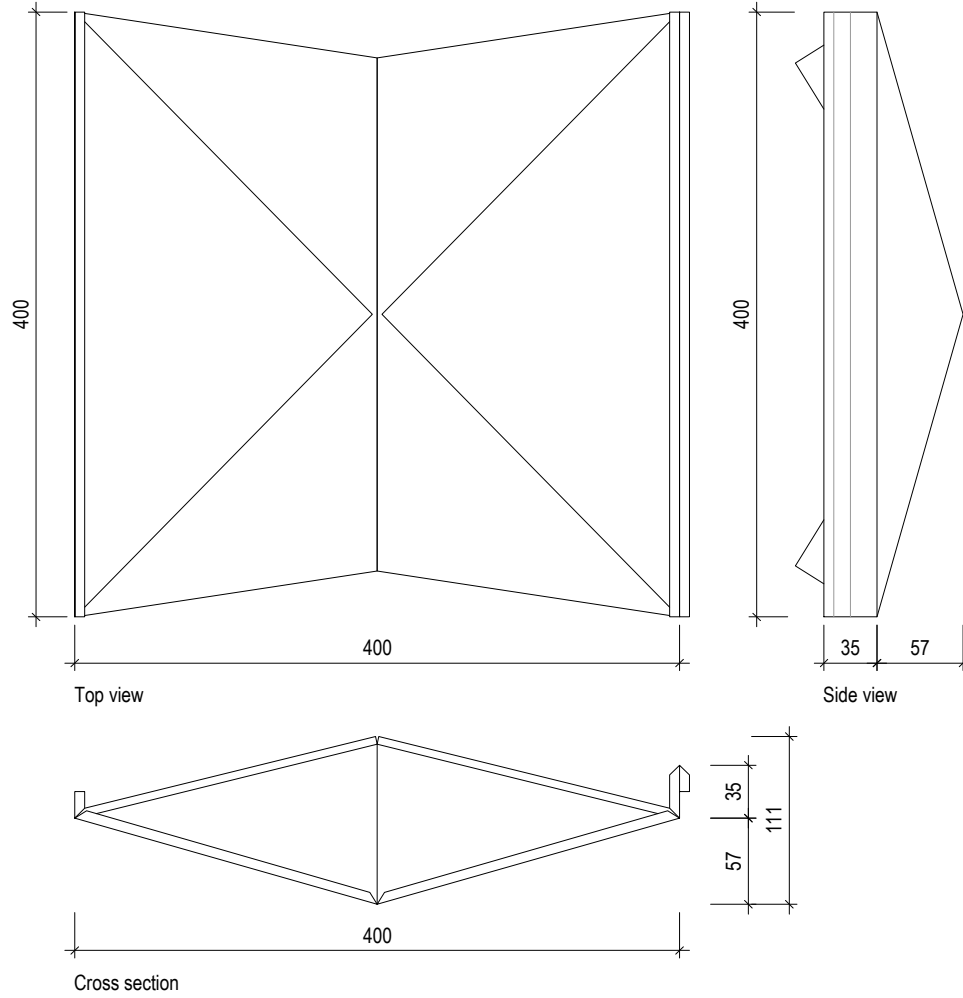
CARRIER SPAN scale 1:5

**HeartFelt ORIGAMI**  
Colour samples

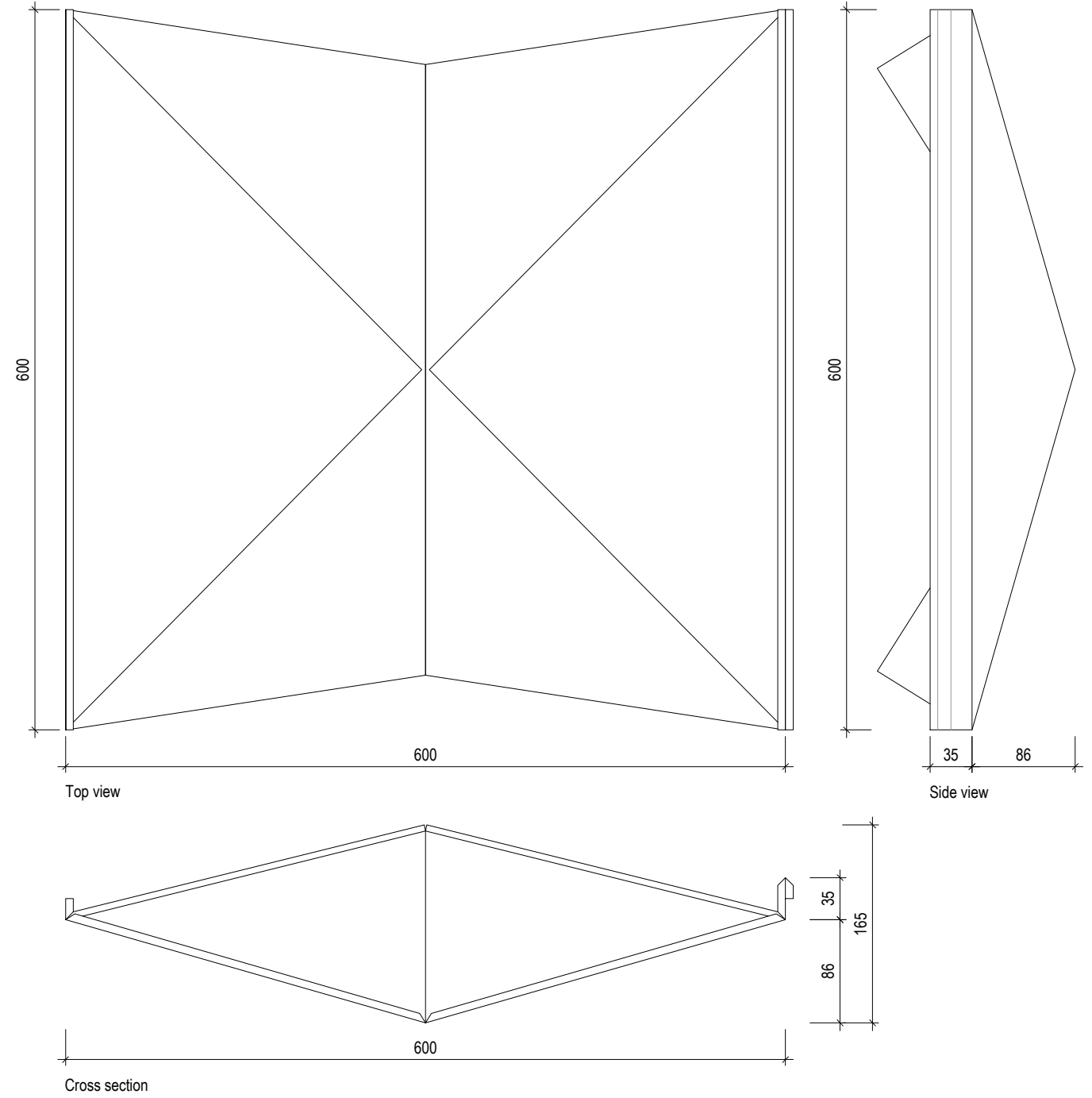
'Shades of Grey'



**38.1711**  
**HeartFelt ORIGAMI TILE 400HO400**

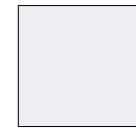


**38.1712**  
**HeartFelt ORIGAMI TILE 600HO600**

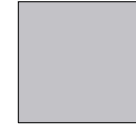


**HeartFelt ORIGAMI**  
Colour samples

'Shades of Grey'



7593  
White



7596  
Light Grey



7597  
Middle Grey

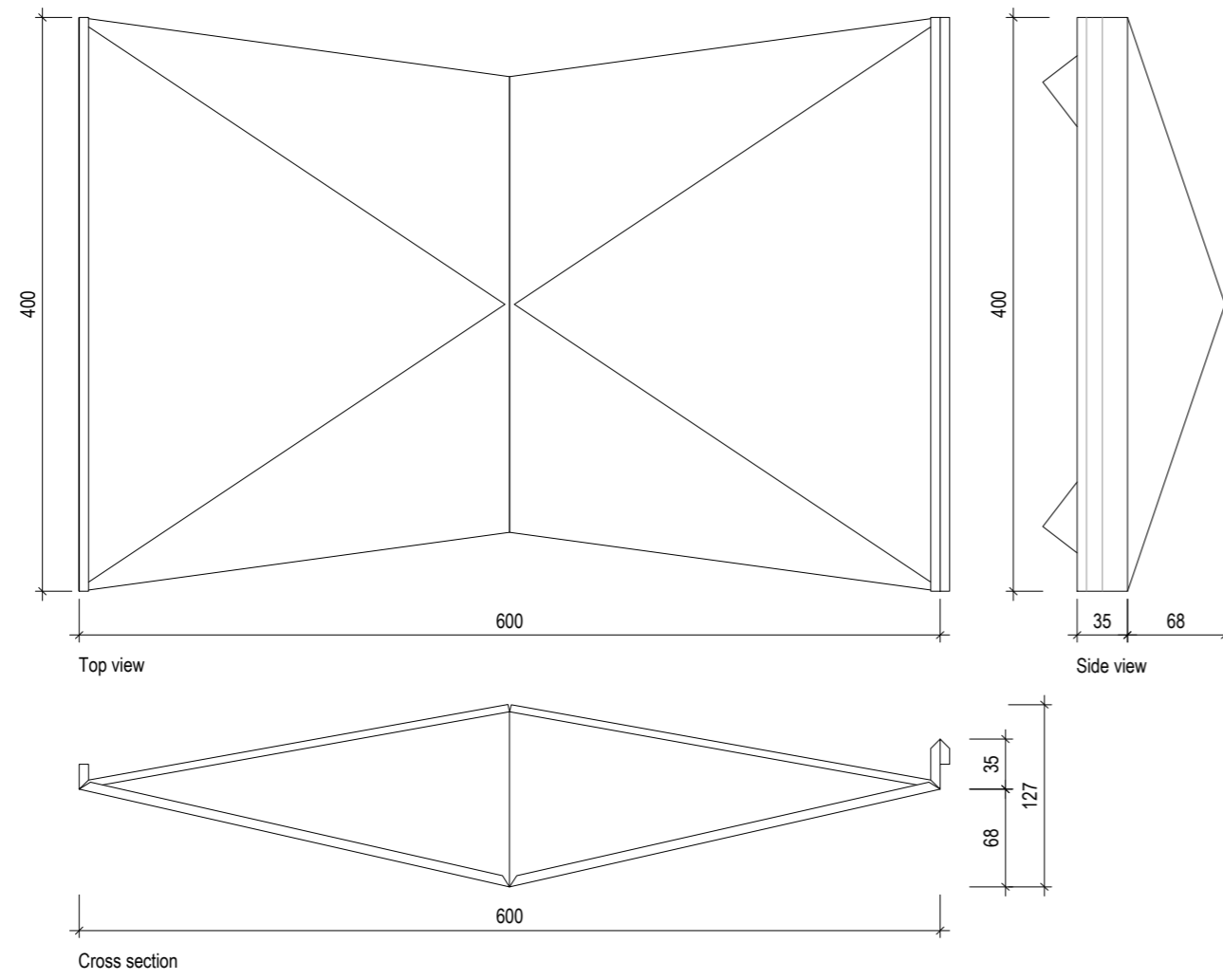


7598  
Dark Grey

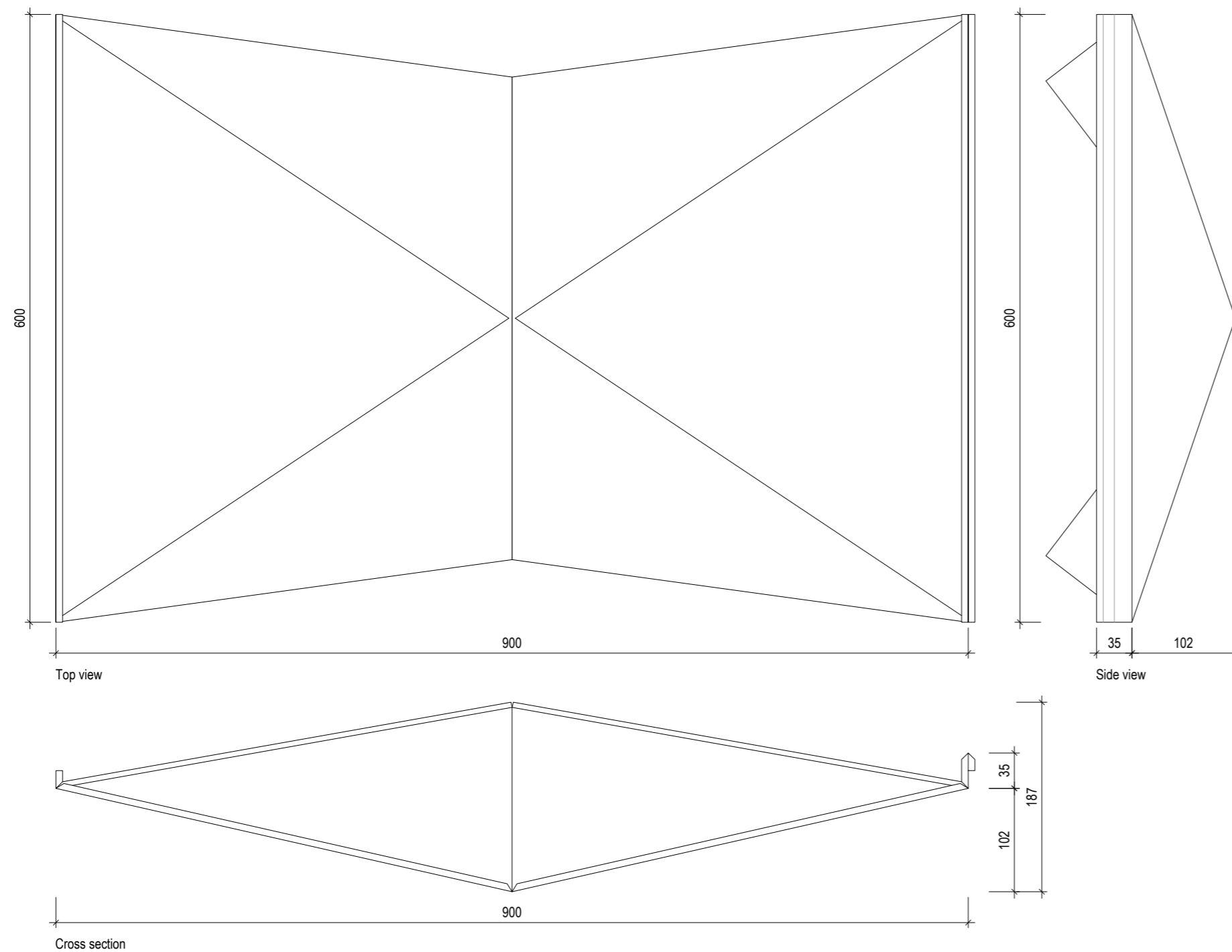


7594  
Black

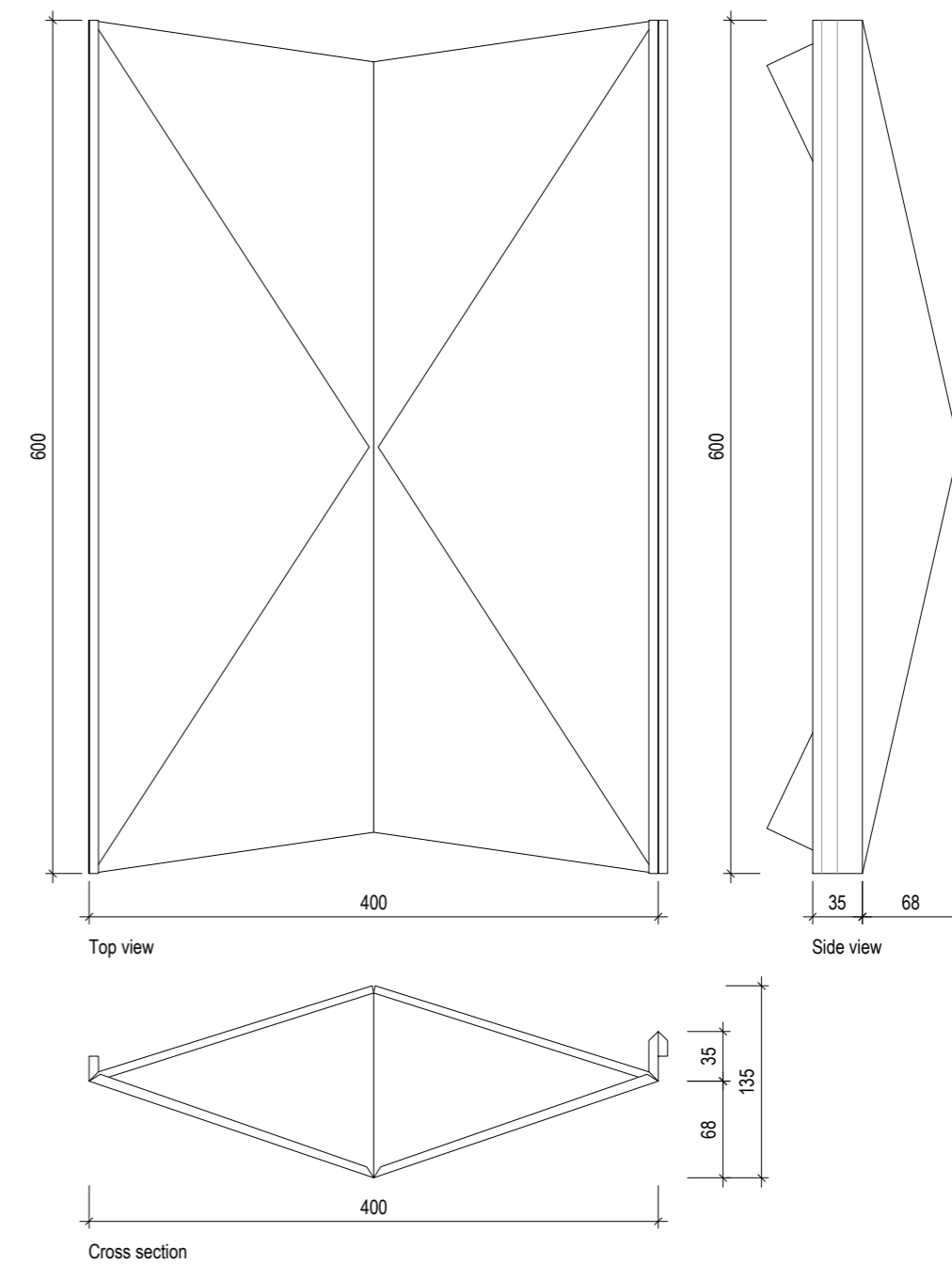
38.1713  
HeartFelt ORIGAMI TILE 600H0400



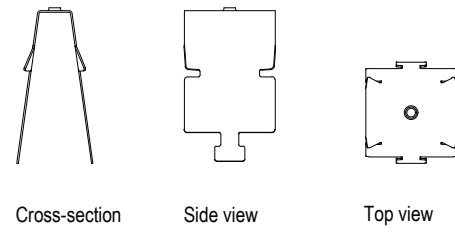
38.1714  
HeartFelt ORIGAMI TILE 900H0600



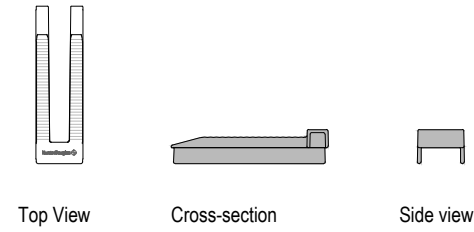
38.1715  
HeartFelt ORIGAMI TILE 400H0600



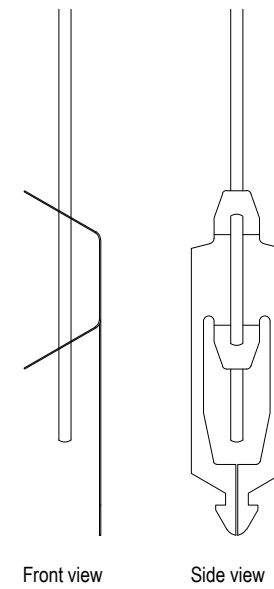
**38.5005**  
HeartFelt BAFFLE FE SUSPENSION CLIP



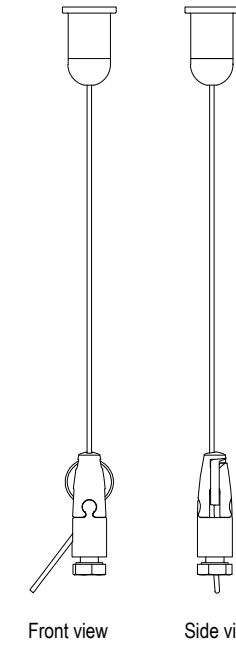
**38.5011**  
HeartFelt ORIGAMI LOCKING DEVICE



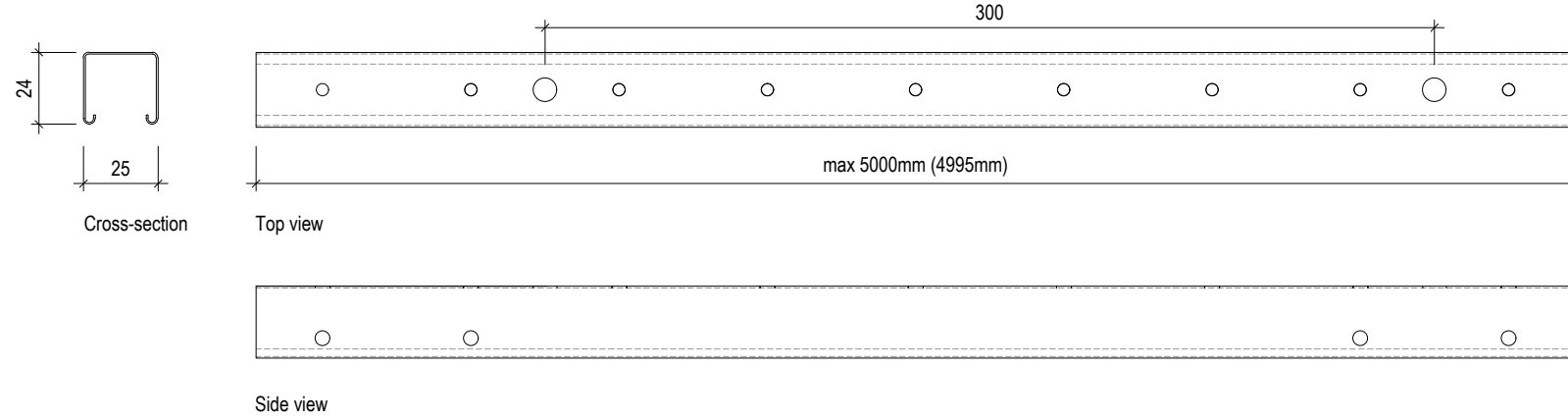
**33.4795**  
SUSPENSION ADJUST. SPRING  
( see rod. hanger ref.)



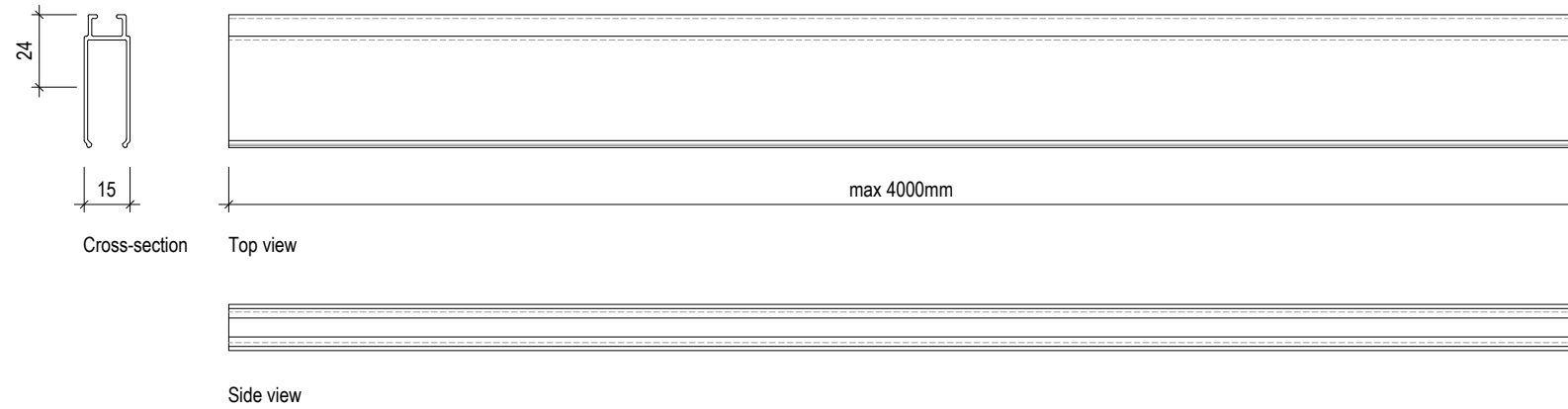
**33.4797**  
HeartFelt DECORATIVE HANGER



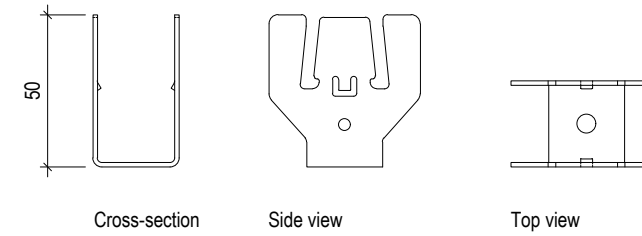
**33.2583**  
FE COMBI CARRIER M50



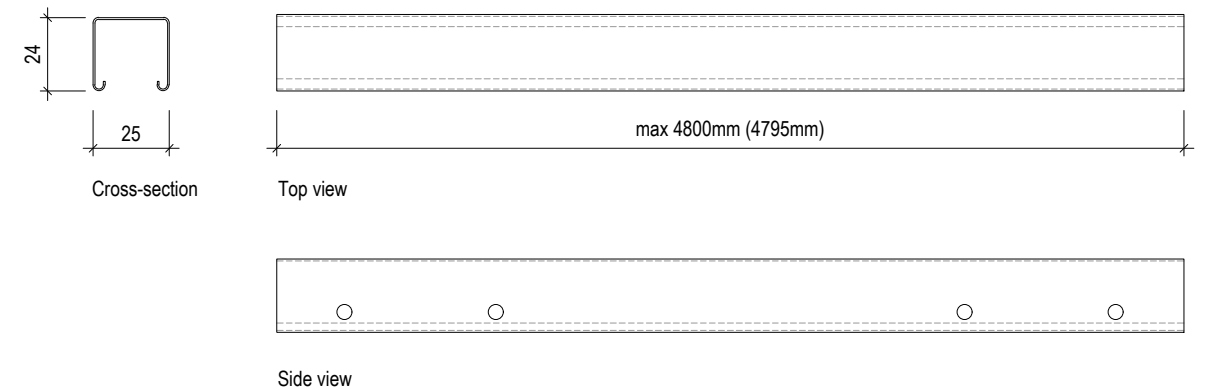
**33.2583**  
FE COMBI CARRIER M50



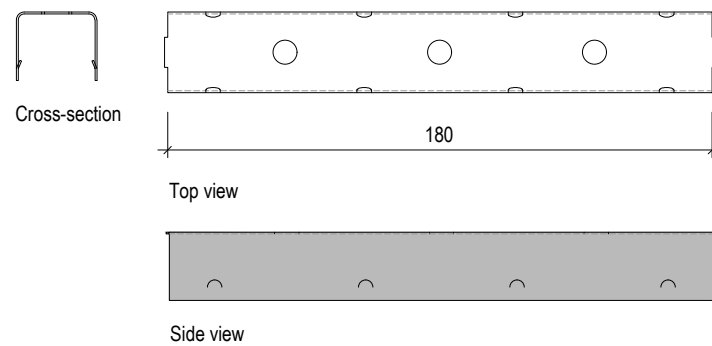
**33.5500**  
COMBI CARRIER FE STABILISATION BRACKET



**33.2580**  
FE STABILISATION PROFILE - FE COMBI CARRIER M00



**33.4580**  
COMBI CARRIER SPLICE FE



**38.5001**  
HeartFelt BAFFLE PROFILE SPLICE

